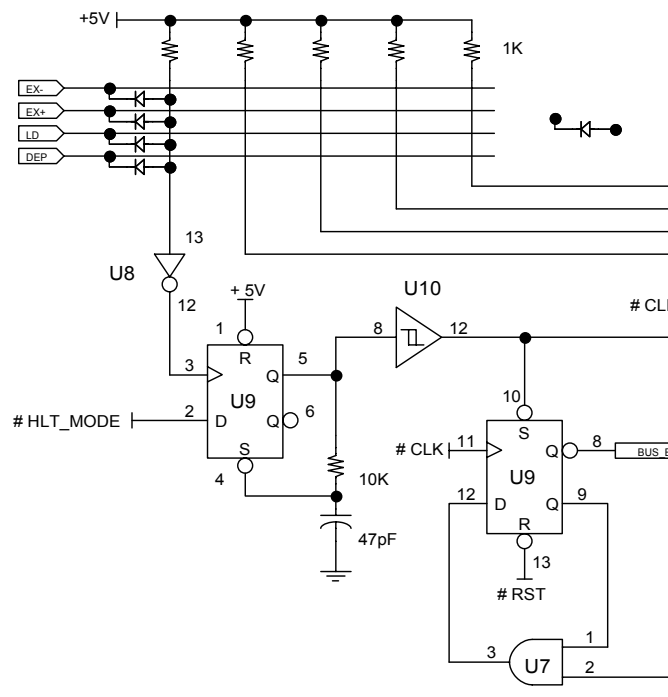


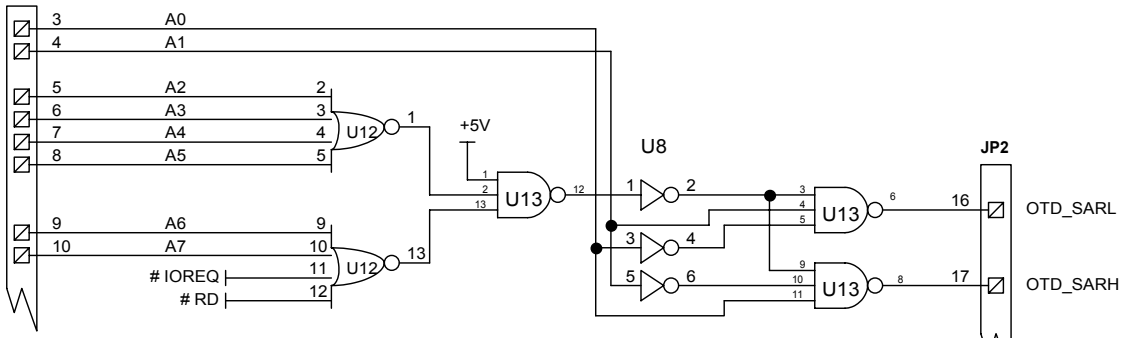
BUTTONS- ENCODER MATRIX



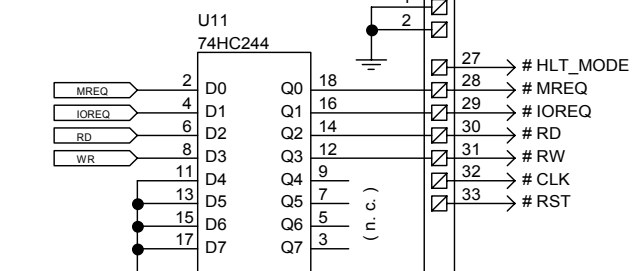
NOTES
 - Diodes in Matrix are NOT shown in this drawing. They will be in further revisions.
 - Signal HLT_MODE (coming from the CPU board) is LO in HALT mode, HI in RUN mode
 - Pins 1 and 19 of both U5 and U10 are grounded.

- U1, U2 : 74ACT00
- U5, U10 : 74HC7541
- U6, U7 : 74ACT08
- U8 : 74ACT04
- U9 : 74ACT74
- U12 : 74HC4002
- U13 : 74ACT10
- U14 : 74ACT32

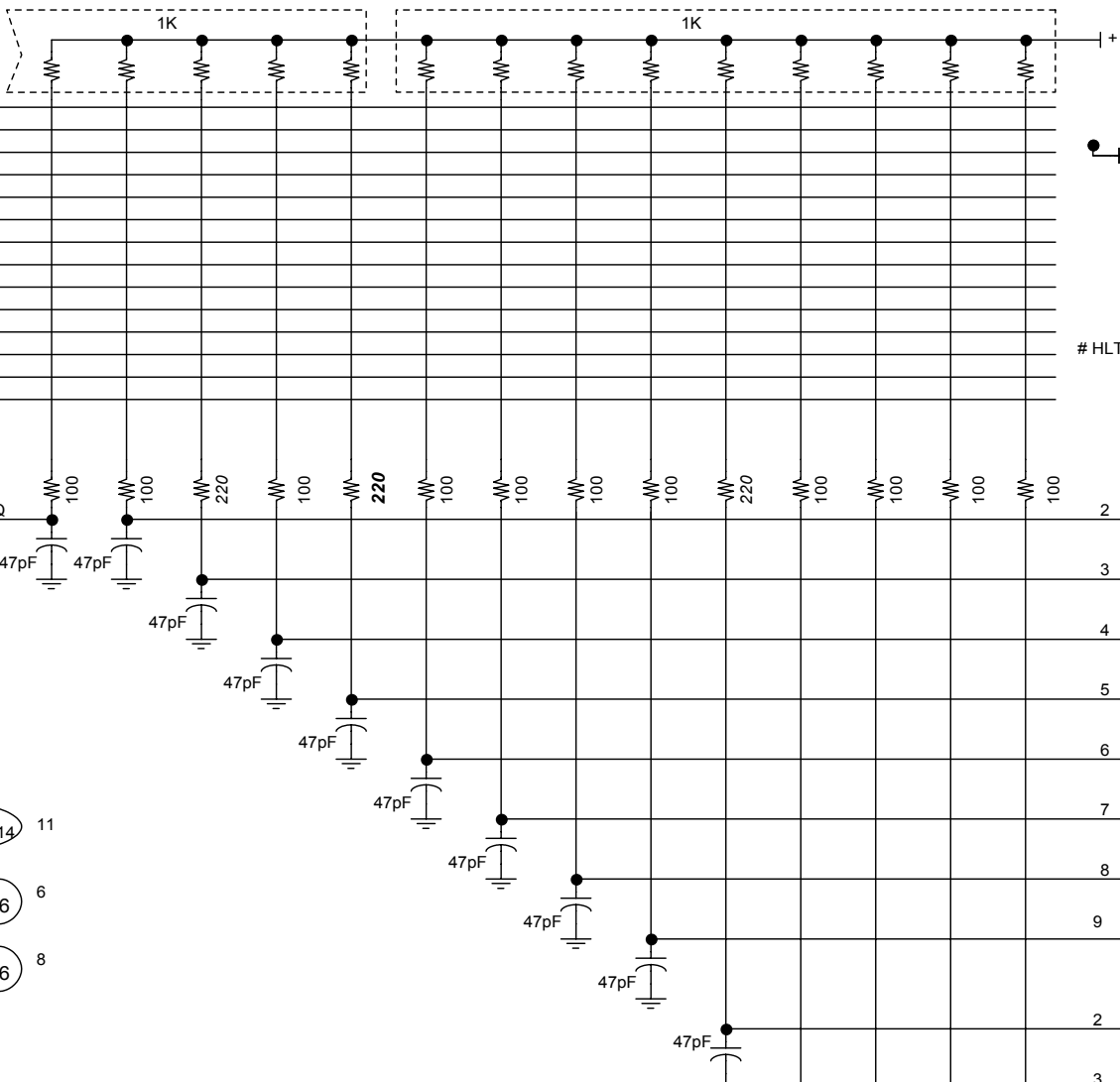
ADDRESS DECODING AND SELECTION LOGIC FOR LARL / LARH



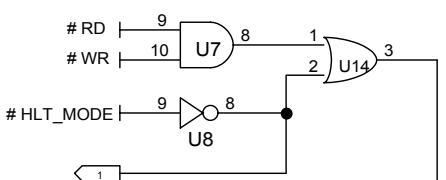
BUS BUFFER



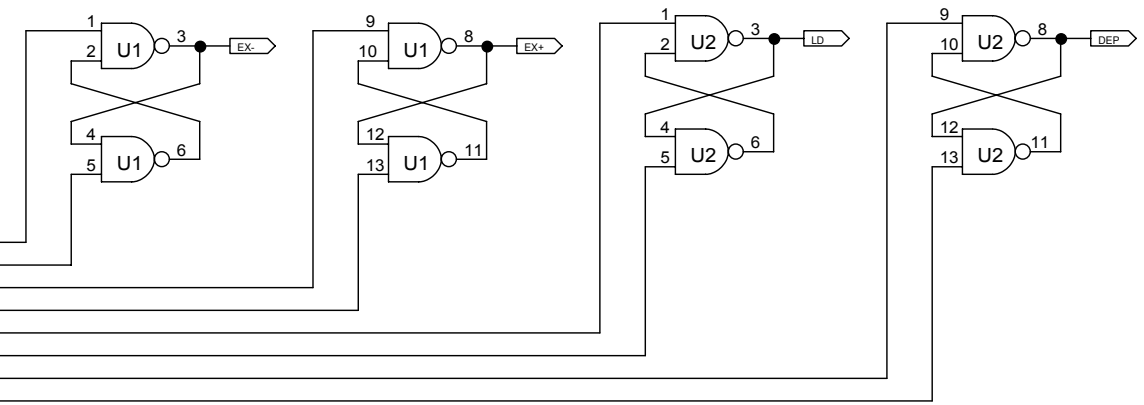
CONTROL SEQUENCES MATRIX



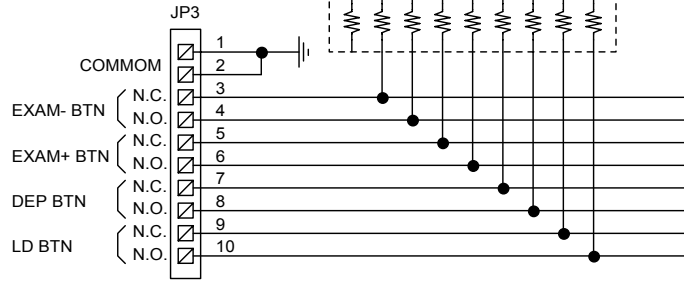
RUN-MODE AUTO-LOAD LOGIC



BUTTON DEBOUNCERS



FROM BUTTONS MOUNTED ON THE CONSOLE ASSEMBLY



TO CONSOLE REGISTERS BOARD

Title LC-81 MC -- CONSOLE CONTROLLER BOARD		
Author Armando Acosta		
File \\LC-81\Dibujos\MC_Console_Controller_v11.dsn	Document	
Revision 11	Date 12/05/2011	Sheets